

# Tecnipesa

## SP-7755

Intel® Celeron® N3350 / Atom™ x7-E3950  
Processor Fanless and All-around IP66 15" Panel  
PC



### Features



- Intel® Celeron® N3350 / Atom™ x7-E3950 processor on board
- Fanless and quiet design
- All-around IP66 mechanical design
- Stand installation
- HDD easy maintenance design
- M12 waterproof connector

### Specifications



#### System

CPU Type	Intel® Celeron® N3350 processor Intel® Atom™ x7-E3950 processor
Chipset	Intel® SoC
Memory Support	1 x DDR3L 1600/1867MHz SO-DIMM socket (up to 8G) (non-ECC)
Front Bezel	Aluminum
IP66	Yes (all-around)
Power Input	DC In 12V/24V
Watchdog	1~255 second w atchdog timer selectable
Operating System	Windows 10 IoT LTSB 2016 / Ubuntu 16.04
Dimensions	385 x 279.46 x 99.16 mm (W x H x D)
System Weight	7.2 kg
Mounting Support	Wall mount / VESA 100 / Stand
Certifications	FCC / CE

#### Display

LCD	15" TFT LCD (LED) resolution XGA 1024 x 768
Touchscreen	5-wire resistive touchscreen or projected capacitive touchscreen (USB interface)

#### Applications

- Automation
- Food Service
- Information

#### I/O Ports

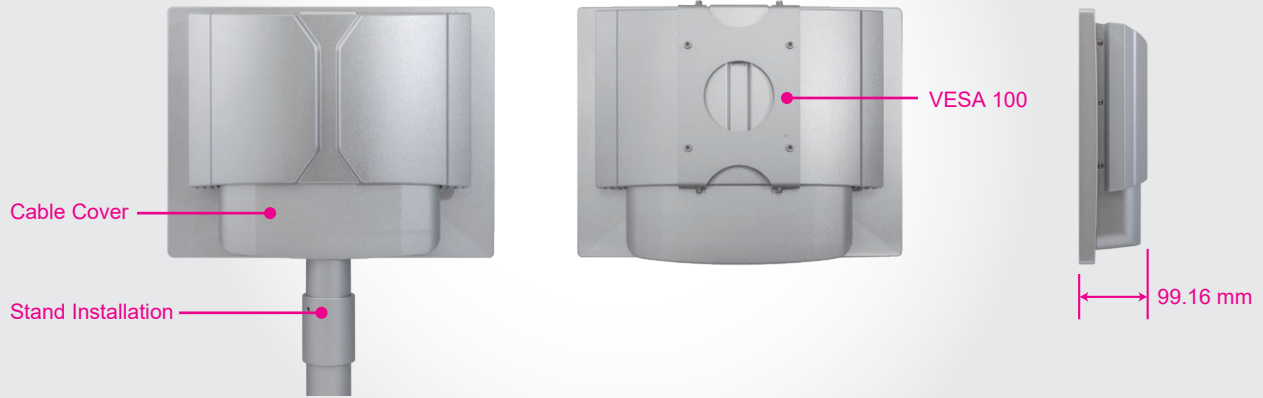
Power Input	1 x M12 waterproof connector, supporting 12V/24V DC
USB	2 x USB 3.0 with M12 waterproof connector
Serial Port	1 x COM port with M12 waterproof connector COM 1 for RS-232/422/485
LAN	2 x GbE LANs with M12 waterproof connector LAN 1: Intel® I210IT LAN 2: Intel® I210IT
Storage	1 x 2.5" SATA III HDD or SSD
Expansion Slot	1 x full-sized Mini PCIe slot (Mini PCIe and USB signal)

#### Environment

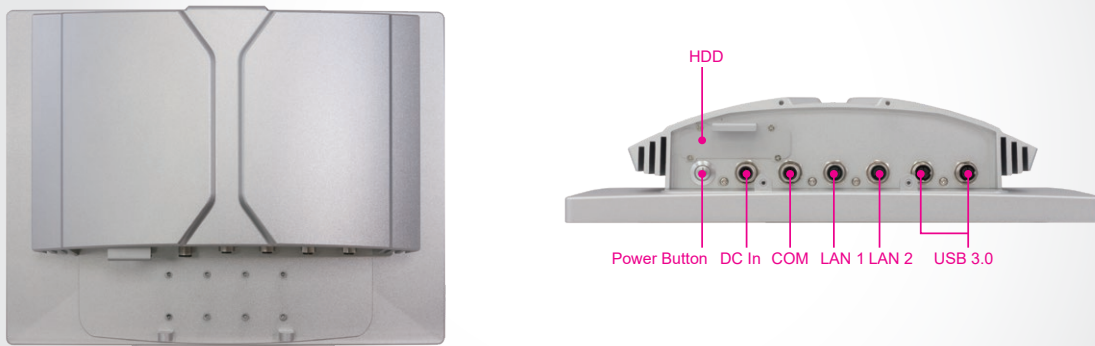
Operating Temp.	HDD: 0°C~40°C (32°F~104°F) (Ambient with airflow) Wide-ranged temperature: -20°C~55°C (-4°F~131°F) (x7-E3950 only)
Storage Temp.	-20°C~80°C (-4°F~176°F)
Humidity	20%~90%

\* All information contained in this document is subject to change without prior notice. Please log on [www.protech.com.tw](http://www.protech.com.tw) to acquire latest information. For detail mechanics drawing, please contact our sales.

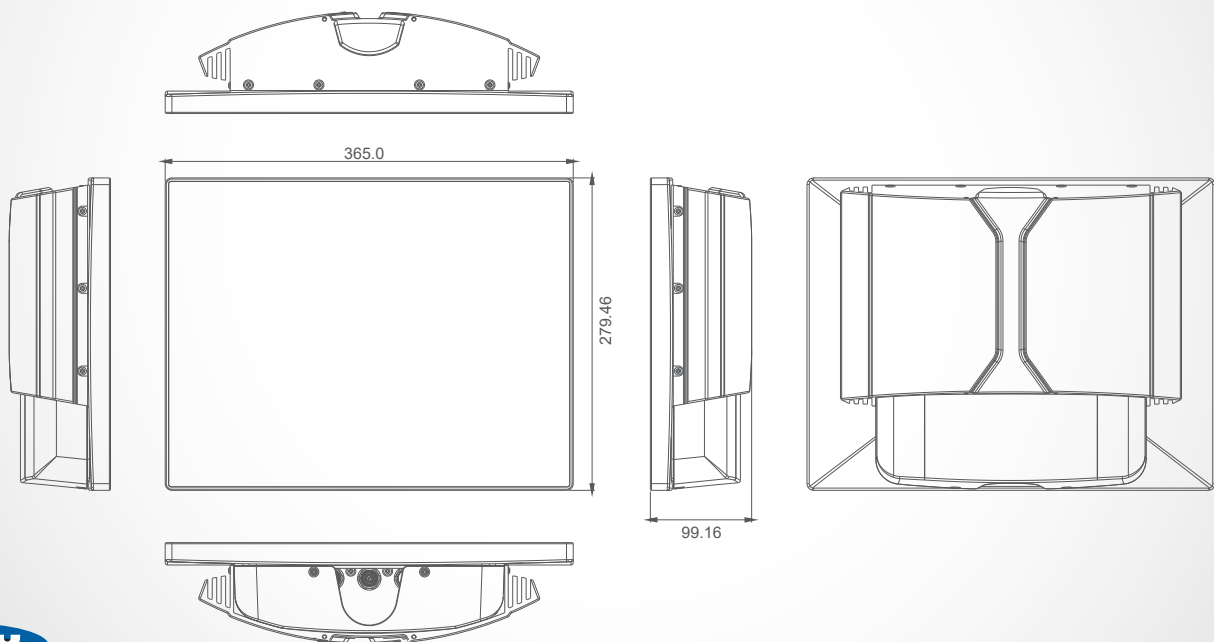
## Highlights



## I/O Panel View



## Dimensions



unit: mm

**Tecnipesa**

info@tecnipesa.com  
www.tecnipesa.com

España: 943 310 922  
MADRID · CATALUÑA · PAÍS VASCO · ANDALUCÍA

México: 442 543 5091  
CIUDAD DE MÉXICO · QUERÉTARO