



Features



- Stylish ID design
- High performance and low power consumption design with Intel® Atom™ Z3735F Quad Core™ CPU (1.33GHz up to 1.83GHz) / 2GB DDR3L / 32GB or 64GB eMMC
- High capacity (8 hours) and removable battery design
- 10.1" LCD panel with P-Cap touch 1280 x 800 resolution / 30,000 hours lifetime
- Multi-function applications (supports 2D barcode scanner / rear camera 5M / Wi-Fi / Bluetooth® / NFC) / MSR / smart card reader with EMV level 1 & 2
- Light weight design (838 g)
- Drop test 1.2m & IP54 (front panel) design
- Windows 10 IoT Enterprise LTSB 2016 OS (32 bits)



Tablet Specifications



10.1" Integrated Pad with Intel® Atom™ Z3735F Quad Core™ CPU (1.33GHz up to 1.83GHz) / 2GB DDR3L / 32GB or 64GB eMMC / Windows 10 IoT Enterprise LTSB 2016 OS (32 bits)

CPU Support	Intel® Atom™ Z3735F Quad Core™
CPU Frequency	1.33GHz up to 1.83GHz
Display	10.1" 1280 x 800
Brightness	400 cd/m ²
O.S. Support	Windows 10 IoT Enterprise LTSB 2016 OS (32 bits)
Memory	2GB DDR3L
Flash	32GB / 64GB eMMC
Speaker	1W
Power Requirement	DC 12V
G-Sensor	Yes
Dimensions (W x H x D)	267.84 x 188.5 x 25.2 mm
Weight	838 g (Pad only)
Certifications	CE / FCC
Capacity	3.7V, 7900mAh
Battery Operation	Up to 8 hours (refer to JEITA battery run time measurement)
WiFi + BT	802.11 b/g/n, Bluetooth® 4.0
Barcode Scanner	2D barcode scanner (optional)
Camera	Rear camera 5M pixels (optional)
NFC	NXP NPC300 (optional)
MSR	SecureHead MSR (optional)
Smart Card Reader	Smart card reader (optional) (meet ISO 7816 & EMV Level 1 & 2 certification)

Tablet I/O Ports

SD	Micro SD up to 32GB
USB	Standard USB type A x 1 for external USB device
Audio Jack	φ 3.5 mm
Cradle Connectors	POGO pin for USB x 1 / power x 1
DC Jack	DC 12V

Lite Cradle Specifications

Cradle Connector	POGO pins (1 x 10 pins)
Kensington Security Lock Slot	Lock slot x 1
Lock Switch	Lock switch x 1 used to fix Integrated Pad and Lite Cradle
AC Power Adapter	12V/5A/60W AC power adapter
Weight	858 g
Dimensions (W x H x D)	220 x 131.65 x 217.23 mm

Lite Cradle I/O Ports

DC In Jack	DC 12V IN (pin's $\phi=2.5$ mm) x 1
USB Ports	USB: Dual standard type A USB 2.0 ports
Serial Ports	COM: RJ-45 with 12V/5V/RI x 1; COM: D-Sub 9 with 12V/5V/RI x 1
LAN Port / Cash Drawer Port	LAN: 10/100 Mbps, RJ-45 x 1 / DRW: RJ-11 with 12V/1A x 1

Battery Charger Specifications

Cradle Connector	POGO pins (1 x 10 pins) x 2
DC In Jack	DC 12V IN (pin's $\phi=2.5$ mm) x 2
AC Power Adapter	12V/3.3A/40W AC power adapter
Weight	292 g
Dimensions (W x H x D)	170 x 65 x 84 mm

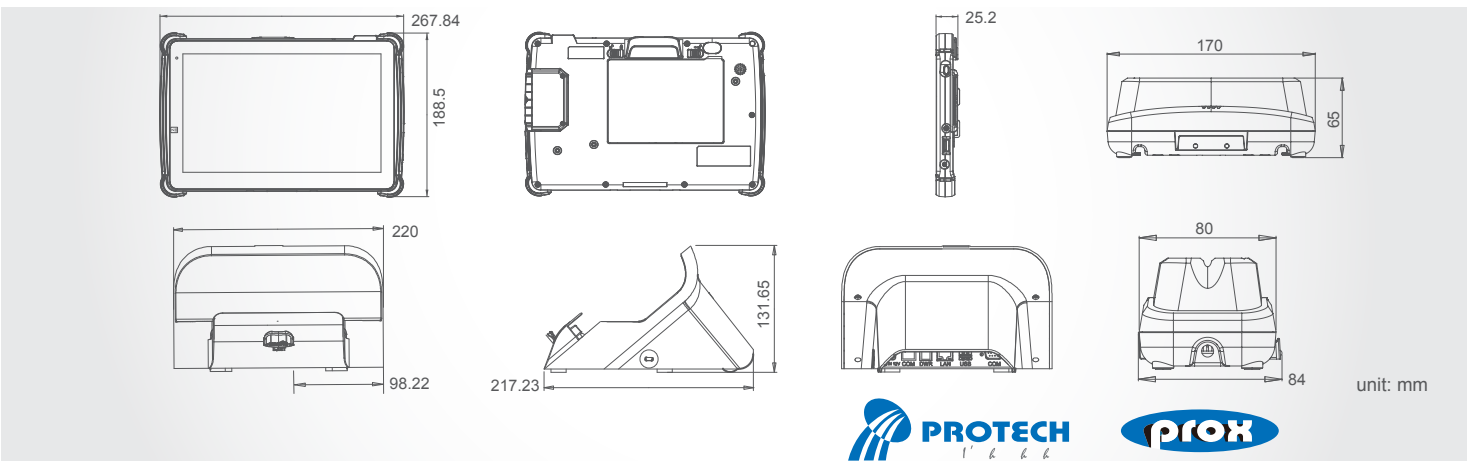
Environment

Operation Temp.	0°C~40°C (32°F~104°F)
Storage Temp.	-20°C~60°C (-4°F~140°F)
Humidity	Operation humidity 10%~90%; Storage humidity 10%~95%

Highlights



Dimensions



unit: mm